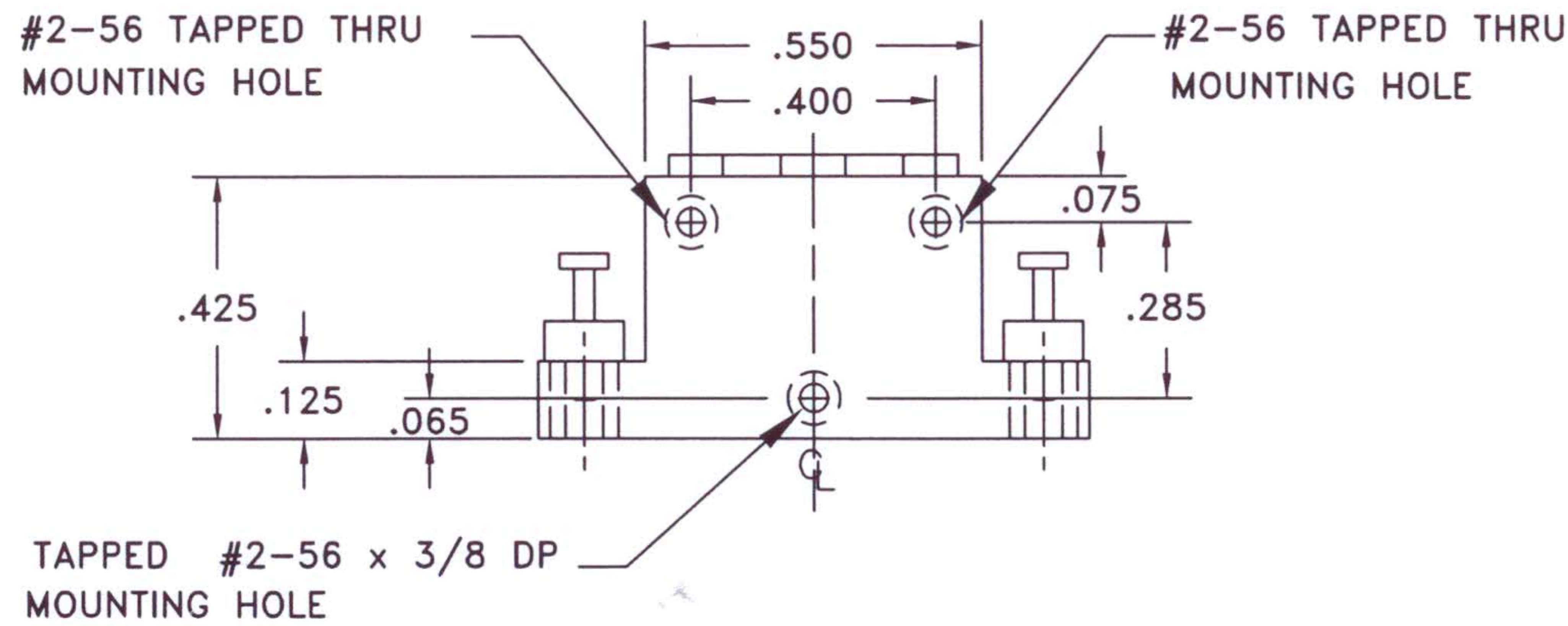
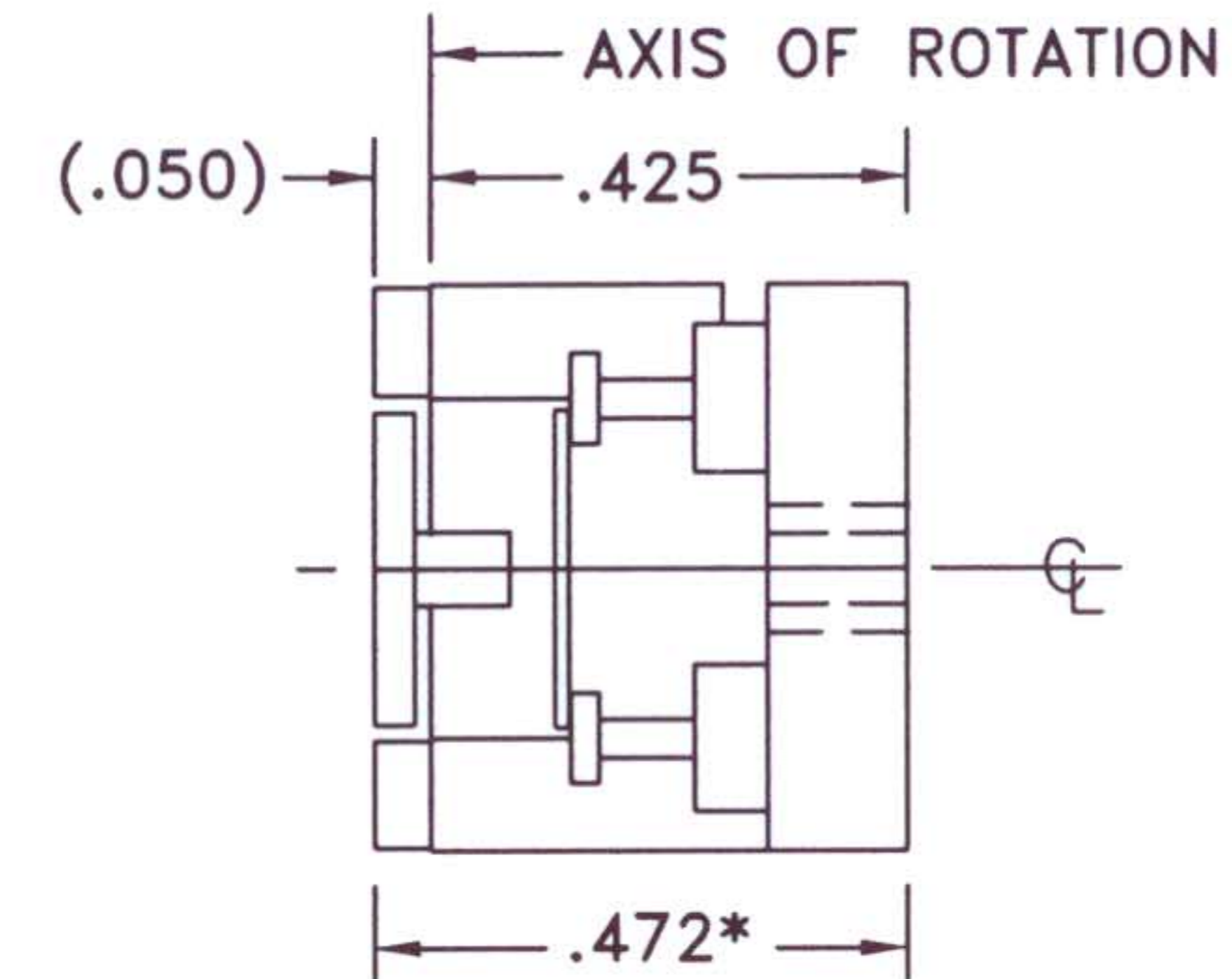
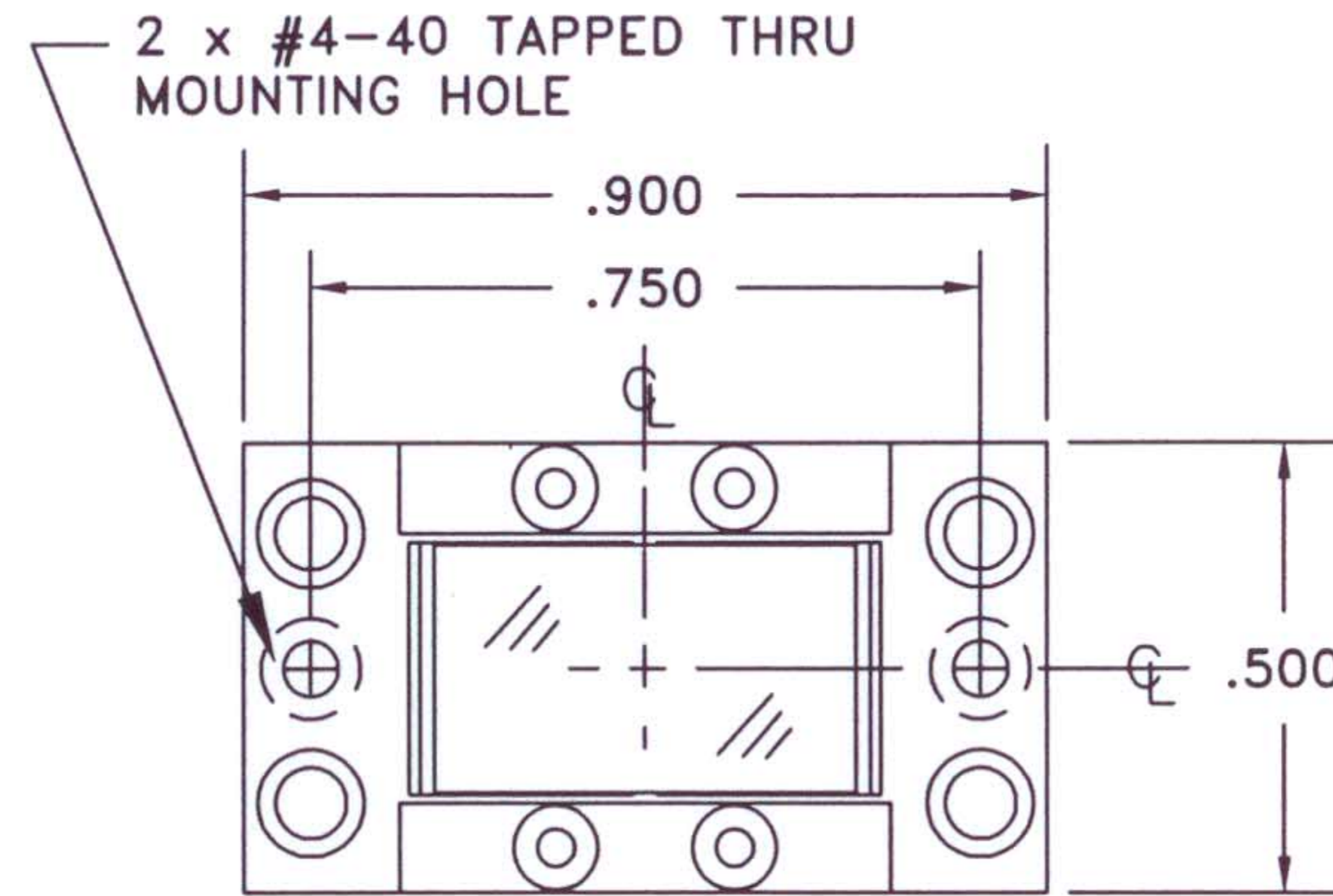


ELECTRO-OPTICAL PRODUCTS PROPRIETARY

THIS DOCUMENT CONTAINS PROPRIETARY INFORMATION AND EXCEPT WITH WRITTEN PERMISSION OF ELECTRO-OPTICAL PRODUCTS CORPORATION SUCH INFORMATION SHALL NOT BE PUBLISHED, OR DISCLOSED TO OTHERS, OR USED FOR ANY PURPOSE, AND THE DOCUMENT SHALL NOT BE DUPLICATED IN WHOLE OR IN PART.

REVISIONS

REV	DESCRIPTION	DATE	APPROVED



NOTE:
* WITH A 1mm THK MIRROR

UNLESS OTHERWISE SPECIFIED DIMENSIONS ARE IN INCHES & PER ANSI Y14.5M-1982		ELECTRO-OPTICAL PRODUCTS CORP. FRESH MEADOWS, NEW YORK	
FRACTIONS ± ANGLES ±1/2° 3 PLACE DECIMALS ±.005 2 PLACE DECIMALS ±.01 HOLES ±		TITLE OUTLINE DRAWING SC-3	
PREPARED 2/6/2009	SIZE A	DWG NO. 09-100878	REV.
APPROVED	SCALE 2:1	SHEET 1 OF 1	